

Gate Installation

1. Position Gate / Locate Hinge

- a. Position gate between fence posts. Allow 1" gap on Hinge and Latch side of assembled gate for hardware and gate swing.
- b. Use Customer supplied leveling blocks under gate to square gate with newel posts shown in **Figure A**. Top of gate to top of rails should be level.
- c. Dry Fit Strap Hinge, mark Screw locations with pencil. Remove gate to a level working surface. Pre-drill gate for Strap hinge mounting screws. Fasten the two hinge straps to the gate in middle of the reinforced horizontal top and bottom gate rails of gate. Make sure they are perpendicular to the hinge side of the gate using a square. Ensure that the straps are mounted correctly left to right to align with the pin placement on the Jamb and Newel post. This placement can vary greatly depending on the type of installation (**Flush or Jamb Mount**). See **Figure B** for guidance. Place Gate back on to Leveling blocks for mounting of the Hinge Pin.
- d. Mount the rectangular hinge pin plates to newel using the 2" x #12 screws supplied. As with the hinge strap placement, the pin placement can be adjusted depending on the type of installation (**Flush or Jamb Mount**). See **Figure B** for guidance.

Figure A

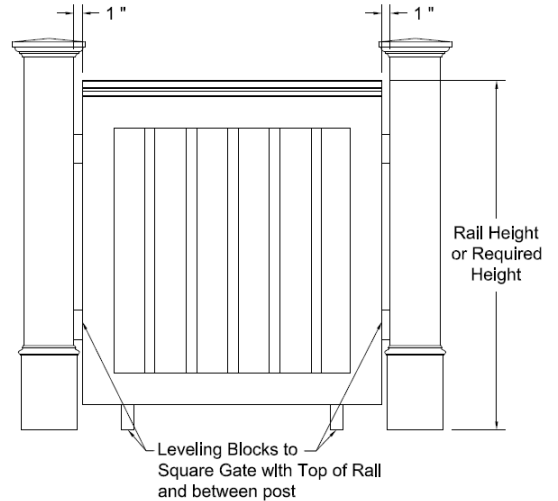


Figure B

- e. The Carriage bolt should be installed in the square hole of each hinge strap. Drilled 3/8" hole. Install Carriage blot with washer and nut on back side. See **Figure C**.

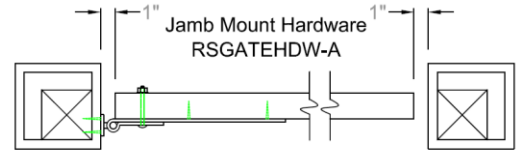
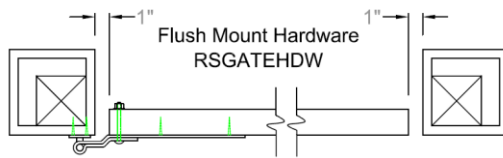
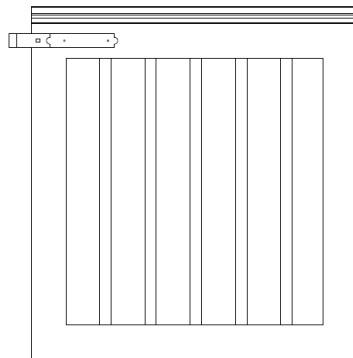
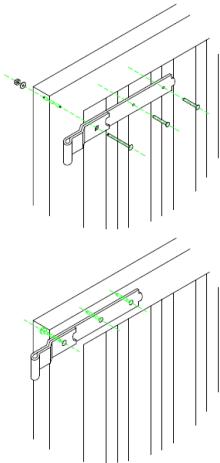


Figure C



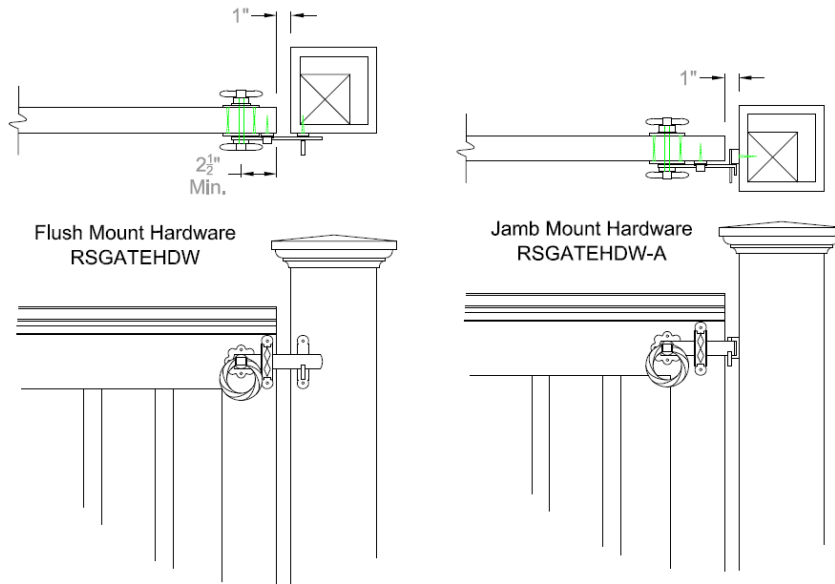
TIPS:

- 1) Initially when mounting the hinge pin plates use only two screws placed in opposing corners on each plate. After assuring that all is aligned correctly and operation is smooth, then complete the plate installation as outlined above.
- 2) To prevent the gate from being lifted off the pins install the top plate with pin facing downward after the gate is installed and aligned on the bottom pin.
- 3) This type of hinge has a loose fit on the pin. While this might appear abnormal with just one hinge, once the second hinge is installed there will be little to no movement visible.

2. Ring Gate Latch Installation

- a. Drill a one inch diameter hole in the reinforced top horizontal gate rail at least 2-1/2" from the edge of the gate. Care must be taken to ensure that the rotating part of the rosette is not pressed against stile or newel post that would prevent free rotation of the ring. See **Figure D** for examples of the two Latch types.

Figure D



- b. Cut the square rod one inch longer than the thickness of the gate.
- c. Insert the square rod into one of the rosettes and screw (use 1" #8 screws) it to the opposite side of the gate. Make sure that they are aligned squarely to ensure free rotational movement.
- d. Screw the bar retainer guide to the gate near the edge of the gate (use 1-1/2" #8 screws). It should be installed so that the horizontal bar is level

and resting on the bottom of the bar retainer guide.

- e. Screw the striker on the post parallel and at the same level as the bar retainer guide (use 1-1/2" #8 screws). Ensure bar will raise enough for proper gate function.
- f. Installing stop Block – use small piece of PVC to fashion a stop block. Close the gate with horizontal bar on the latch just touching the catch in the Newel post. With the gate in this position install stop block on latch post. Ensure the front of the block fits snug against the gate in this closed position.

3. Cane Bolt Installation – Double Gate Application

- a. Decide which gate section will remain stationary. Place the bottom guide bracket on the gate as near to the bottom of the gate as reasonable, while still being able to anchor securely to the gate frame. Fasten with the two screws provided.
- b. Place the Cane Bolt through the bottom guide bracket and hold it up at the top of its travel, this means the bottom of the bolt will be just about an inch through the bottom guide bracket. At this point place the retainer just under the handle as in **Figure E** and install two screws provided.
- c. Put the second or top guide bracket on the bolt then slide the bolt through the bottom guide bracket and drop it into the receiver or hole in the ground
- d. Move the top guide bracket up the rod to the top of the bolt just under the bend of handle. At this point, you can decide whether or not to install the locking bracket as it installs with these same two screws. Fasten with two screws provided.

Figure E

