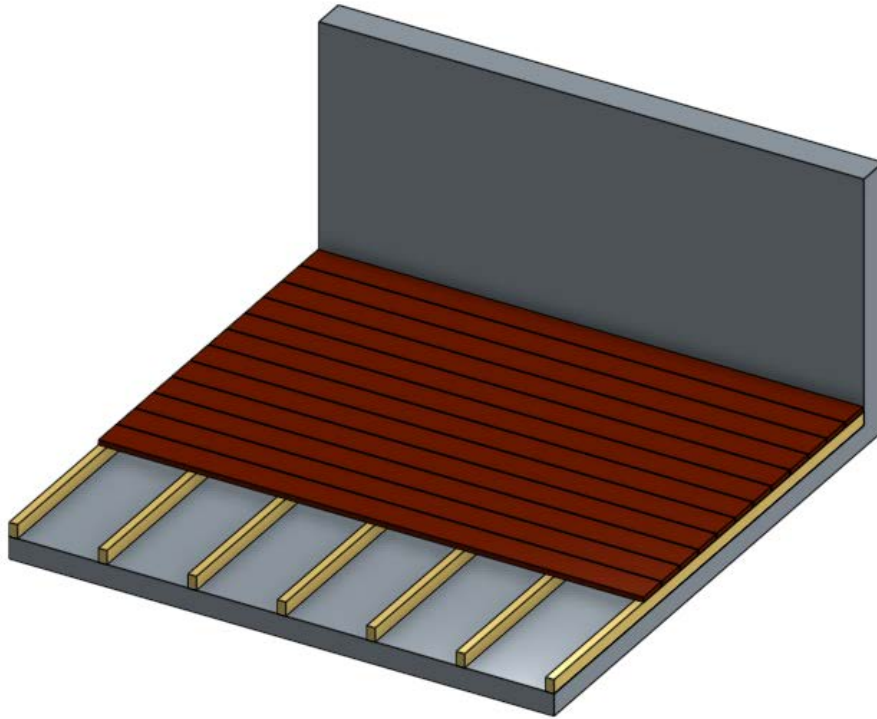


Roof Top Deck with Sleeper System Install Guide



Deck must be designed to ensure that proper drainage and air flow are maintained.

- 1/4" (6.4 mm) minimum gap where the decking meets a solid wall, maximum of 3/8" (9.5 mm) recommended.
- 3/16" (4.8 mm) gap between boards; this is the standard gapping for DuraLife products.
- Air should be allowed free movement under the structure, do not cover or enclose the open end of the deck.
- Sleepers must be large enough to maintain 2" (51 mm) spacing under the decking.
- Sleepers need to be arranged to not block/impede drainage flow.

Construction

- Sleepers must be 16" (406 mm) OC maximum spacing.
- Sleepers must be securely fastened to the subsurface per codes.
 - o Recommend using a 1/4" (6.4 mm) plastic spacer under the sleepers to aid drainage and keep them dry.
- Sleepers must be made from rot resistant materials.
- Please refer to decking installation instructions for guidance when attaching DuraLife deck boards to support structure.

The above is a simple guideline to reduce the issues that accompany all roof top deck installations. Following these guidelines and following current International Building Codes will help minimize rooftop installation issues. Please contact DuraLife Decking with any questions regarding your specific decking project.